


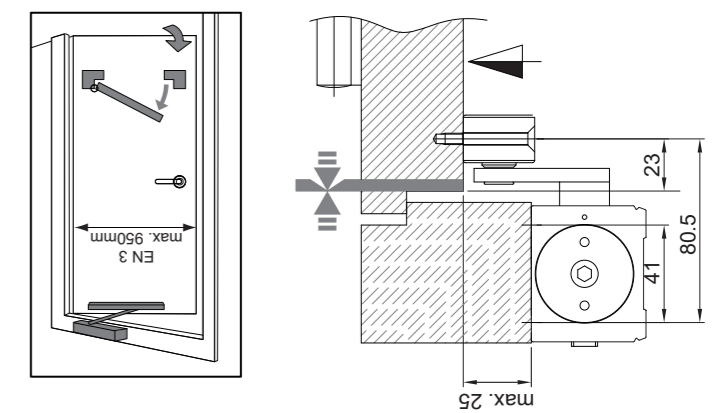
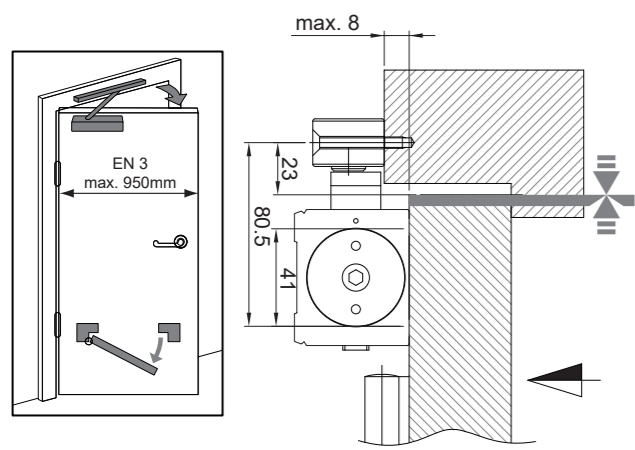
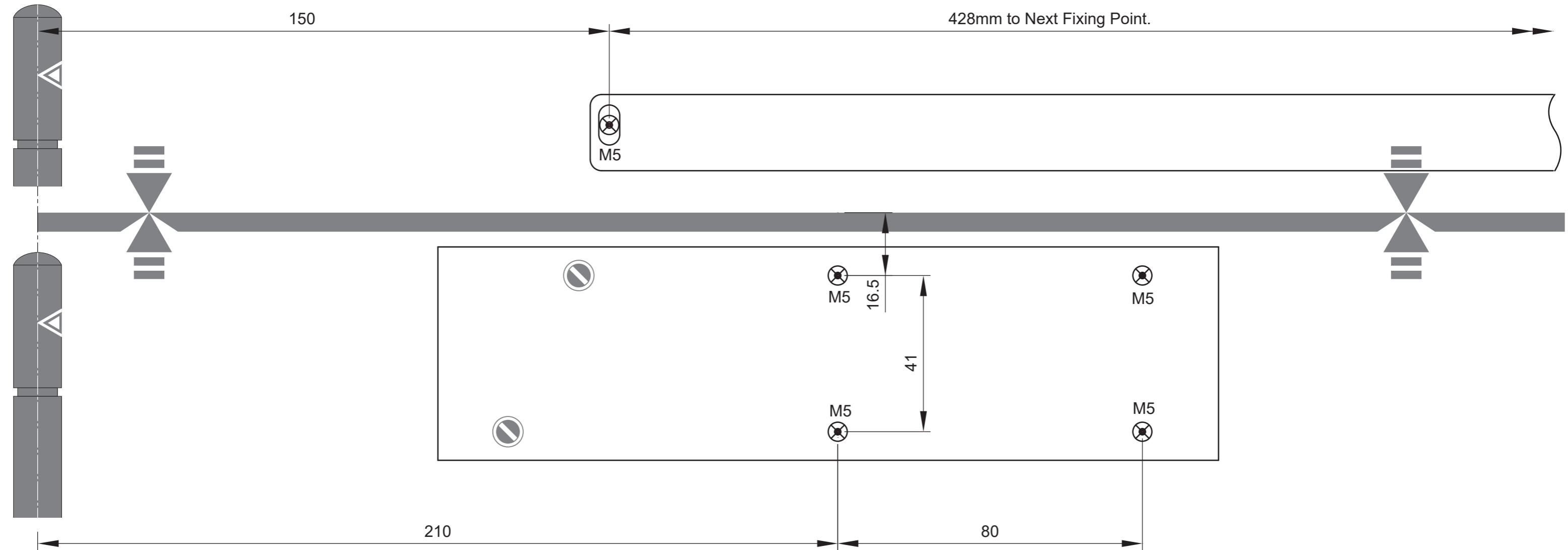




 APPROVED PRODUCT CF5312	 www.synergyhardware.co.uk						1121-CPR UK-AD7832	<b>21</b>
	BS EN1154:1997+ A1:2002						2812 CPR-AD5197	<b>15</b>
	4	8	3	1	1	3	Pull side	
3	8	3	1	1	3	Push side		



 APPROVED PRODUCT CF5312	 www.synergyhardware.co.uk			1121-CPR UK-AD7832	<b>21</b>
	BS EN1154:1997+ A1:2002			2812 CPR-AD5197	<b>15</b>
	4 8 3 1 1 3	Pull side			
3 8 3 1 1 3	Push side				

